

thermalite™

Made from world class quality material

AUSTRALIA'S LEADING SHUTTER



HINGED



SLIDING



BI-FOLD



Thermalite™ Shutters



Thermalite Shutters have the look and feel of wood with several major advantages.

Made from dense polymer foam, Thermalite is a solid, non-toxic synthetic material.

Being 100% made from renewable synthetic material, no natural resources are destroyed in the manufacturing process.

Thermalite is water resistant, fire retardant and provides over 2-3 times the insulation of wood and vinyl shutters making it the ideal choice for both internal and external applications such as bathrooms, balconies, kitchens or anywhere around the home.

The superb painted finish on the Thermalite Shutters ensures they won't yellow like other shutters.

Thermalite Shutter's unique louvre tension system will never need tightening or adjusting. Thermalite Shutters have the longest and most comprehensive warranty in the window covering industry.



**AFFORDABLE
LIVING**
*with luxury
design*

Proudly Australian Made

This unique environmentally friendly and hypoallergenic product can be found in suburban homes, hotels, hospitals and resorts throughout the world.

Cost Reducing

Thermalite Shutters will save you money now and into the future by reducing the energy required for heating and cooling your home. Lowering insulation and maintenance costs and increasing the overall efficiency in your environment - reducing your carbon footprint.

Thermalite Ultraclear

Our Patented Ultraclear system provides a clear uninterrupted view. No tilt rod or controls are required which often malfunction and require repair. No unsightly rods showing and louvres will not lose tension.

Benefits & Features

- Australian made
- Traditional look
- 25 Year transferable warranty*
- Will never crack, warp, shrink or discolour
- Minimal maintenance
- Louvres will never lose tension
- Manufactured within 15 working days
- Exclusive Ultraclear mechanism
- Looks & feels like wood (not plastic)
- Internal & external applications
- Insulates 3 times greater than timber
- Made from non-toxic, recycled materials
- Flame retardant
- Water resistant
- Environmentally friendly
- Dents can be warmed out
- Reduces energy costs
- Termite proof
- Clean with soapy water

*Conditions Apply



thermalite™

Made from world class quality material

- ✓ Proudly Australian Made
- ✓ Manufactured in 15 Working Days
- ✓ Environmentally Friendly
- ✓ Flame Retardant
- ✓ Termite Proof
- ✓ Reduces Energy Costs
- ✓ 25 Year Limited Transferable Warranty* *Conditions Apply

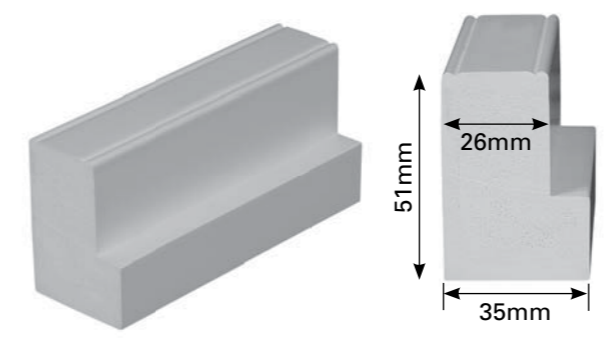


ORELOHff
(PDLOffDOHSHULRUDEIDLOERPDQ



KNOW THE THERMALITE DIFFERENCE

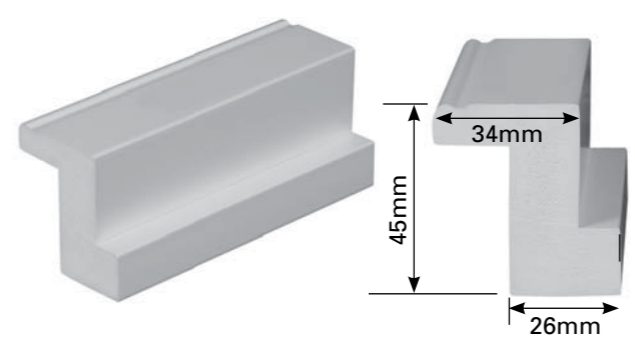
Ultraclear Mechanism



L-Frame

The L-Frame can be used as a reveal mounting frame or placed onto a wall or architrave and used as a face mounting frame. For a reveal mount option, there is a very strong likelihood caulking will be required. This is due to the vast majority of windows not being square.

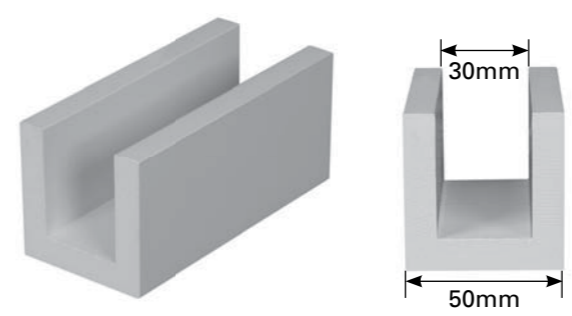
“Face or reveal – all options covered”



Z-Frame

Perhaps our most popular framing option, this is a reveal only frame. Superb for that slightly out of square window, as the “Z Wings” cover any gaps up to 10mm. Therefore the shutter can be easily installed, your fitter needs no gap filling time and can move straight onto the next window or job.

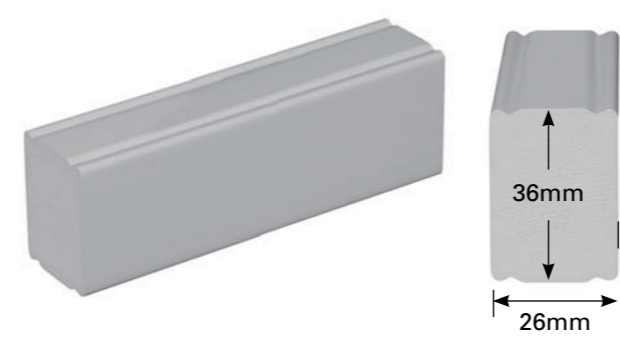
“Keeps your fitting cost down”



U-Channel

The U-Channel is often used in wall cut-outs, between adjoining rooms, or also when an easy removing option is required. This is a simple operation of lifting the shutter into the top U-Channel and then dropping the bottom of the shutter into the bottom U-Channel (just like your normal glass sliding windows).

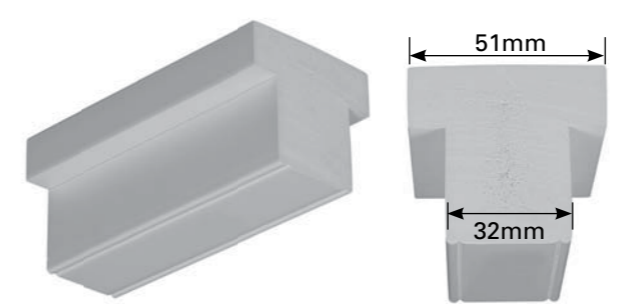
“Ease of access option”



Mounting Frame

The mounting strip framing can be used for a number of applications. It is used in conjunction with bent leaf hinges, or as beading to act as a light block with no frame shutters, or even as packing in some instances.

“Multi purpose framing”

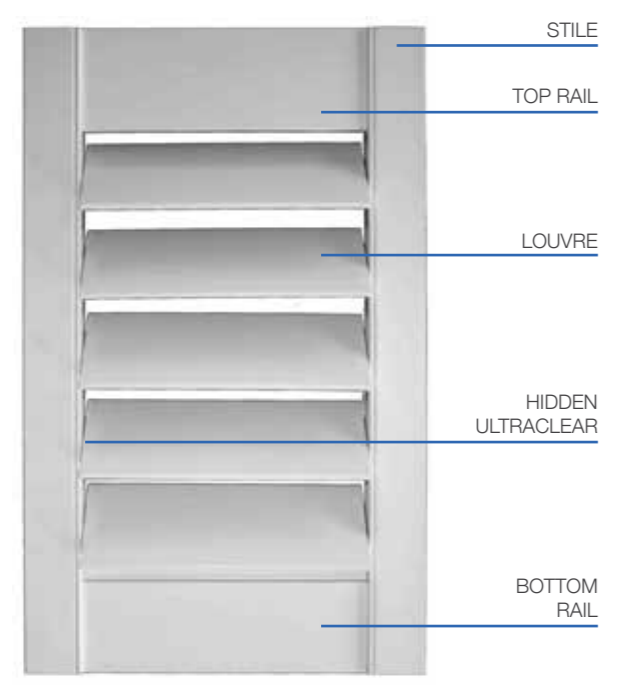


T-Post

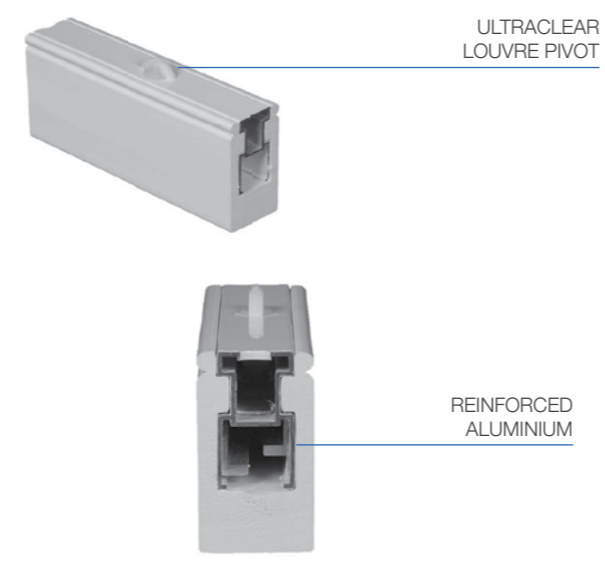
The T-Post is used in multiple hinged panel situations. Ideally the T-Post is placed in front of any Window Mullion, providing a clear view through the shutter. The T-Post is screwed directly onto the frame and has the added effect of firming up the frame.

“Allows a single frame multi panel option”

Shutter Basics



Ultraclear Mechanism



Louvre's and Mid-Rails

